

2

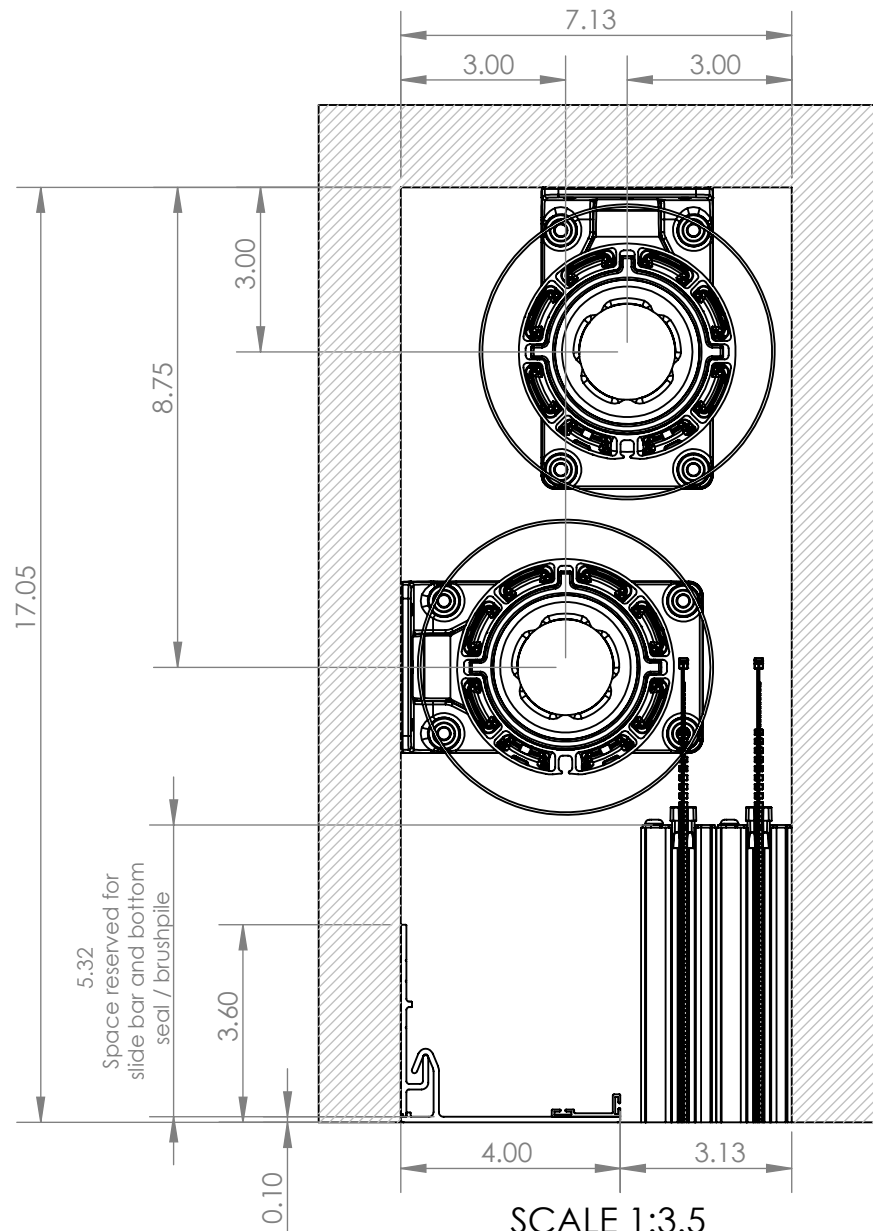
1

Motorized Retractable Screen

Double 4" Recessed Roller - Stacked

B

B



A

A

SCALE 1:3.5

PROPRIETARY AND CONFIDENTIAL

THE INFORMATION CONTAINED IN THIS DRAWING IS THE SOLE PROPERTY OF PHANTOM SCREENS. REPRODUCTION IN PART OR AS A WHOLE WITHOUT THE WRITTEN PERMISSION OF PHANTOM SCREENS IS PROHIBITED.



UNLESS OTHERWISE SPECIFIED:

DIMENSIONS ARE IN INCHES.
 TOLERANCES:
 FRACTIONAL ± 1/32
 ANGULAR ± 2
 TWO PLACE DECIMAL ± .013"
 THREE PLACE DECIMAL ± .005"

STANDARD TOLERANCES APPLY UNLESS OTHERWISE SPECIFIED

INTERPRET GEOMETRIC TOLERANCING PER: ASME Y14.5
 THIRD ANGLE PROJECTION

MATERIAL

DRAWN	SA	2025-12-23
CHECKED	PP	2025-12-23
ENG APPR.	PP	2025-12-23
MFG APPR.		
Q.A.		

TITLE: Mz2.0, Dual Roller

SIZE	DWG. NO.	REV
A	EPN469	1
SCALE:	WEIGHT: 100.526	SHEET 1 OF 6

2

1

DOCUMENT NO. XXXXX-XX-XXX

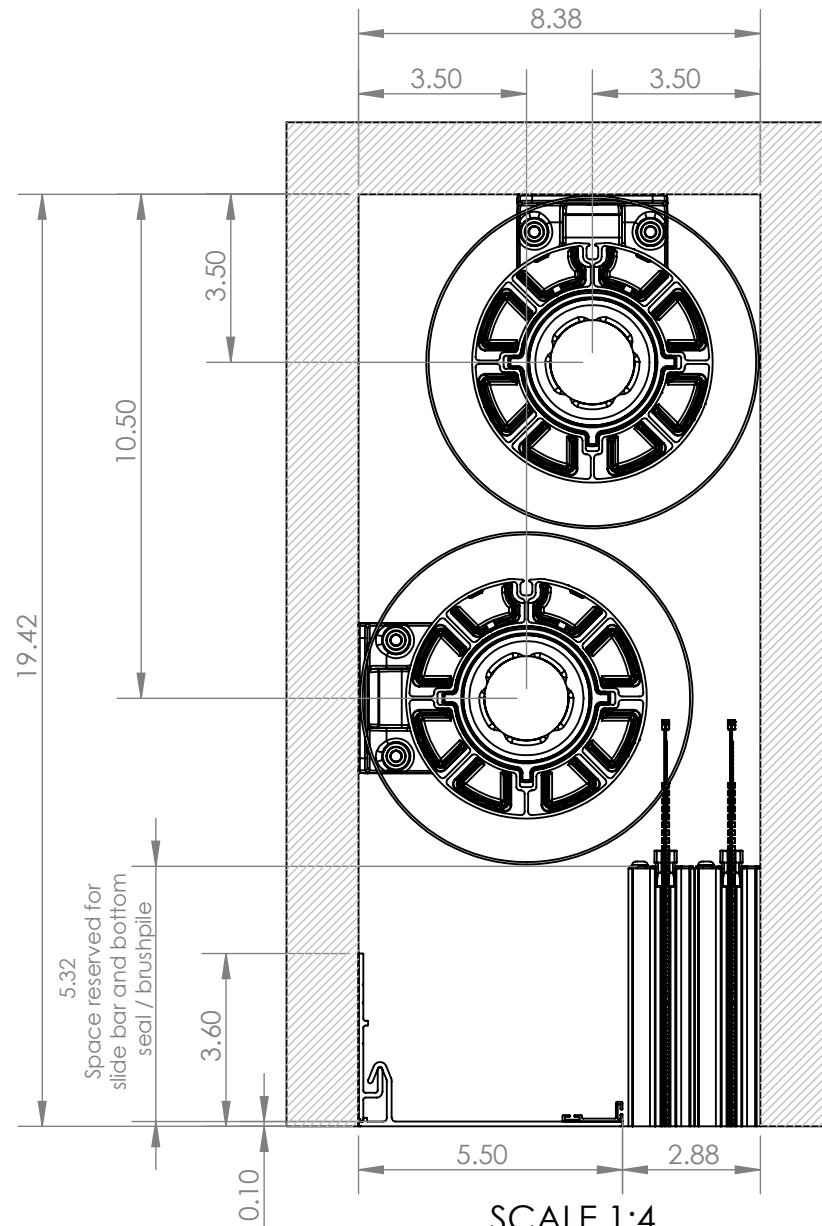
2

1

Motorized Retractable Screen Double 5" Recessed Roller - Stacked

B

B



A

A

SCALE 1:4

PROPRIETARY AND CONFIDENTIAL

THE INFORMATION CONTAINED IN THIS DRAWING IS THE SOLE PROPERTY OF PHANTOM SCREENS. REPRODUCTION IN PART OR AS A WHOLE WITHOUT THE WRITTEN PERMISSION OF PHANTOM SCREENS IS PROHIBITED.



UNLESS OTHERWISE SPECIFIED:

DIMENSIONS ARE IN INCHES.
 TOLERANCES:
 FRACTIONAL ± 1/32
 ANGULAR ± 2
 TWO PLACE DECIMAL ± .013"
 THREE PLACE DECIMAL ± .005"

STANDARD TOLERANCES APPLY UNLESS OTHERWISE SPECIFIED

INTERPRET GEOMETRIC TOLERANCING PER: ASME Y14.5
 THIRD ANGLE PROJECTION

MATERIAL

DRAWN	SA	2025-12-23	TITLE: Mz2.0, Dual Roller	
CHECKED	PP	2025-12-23	SIZE A	DWG. NO. EPN469
ENG APPR.	PP	2025-12-23		
MFG APPR.			SCALE:	WEIGHT: 100.526
Q.A.				SHEET 3 OF 6

2

1

DOCUMENT NO. XXXXX-XX-XXX

2

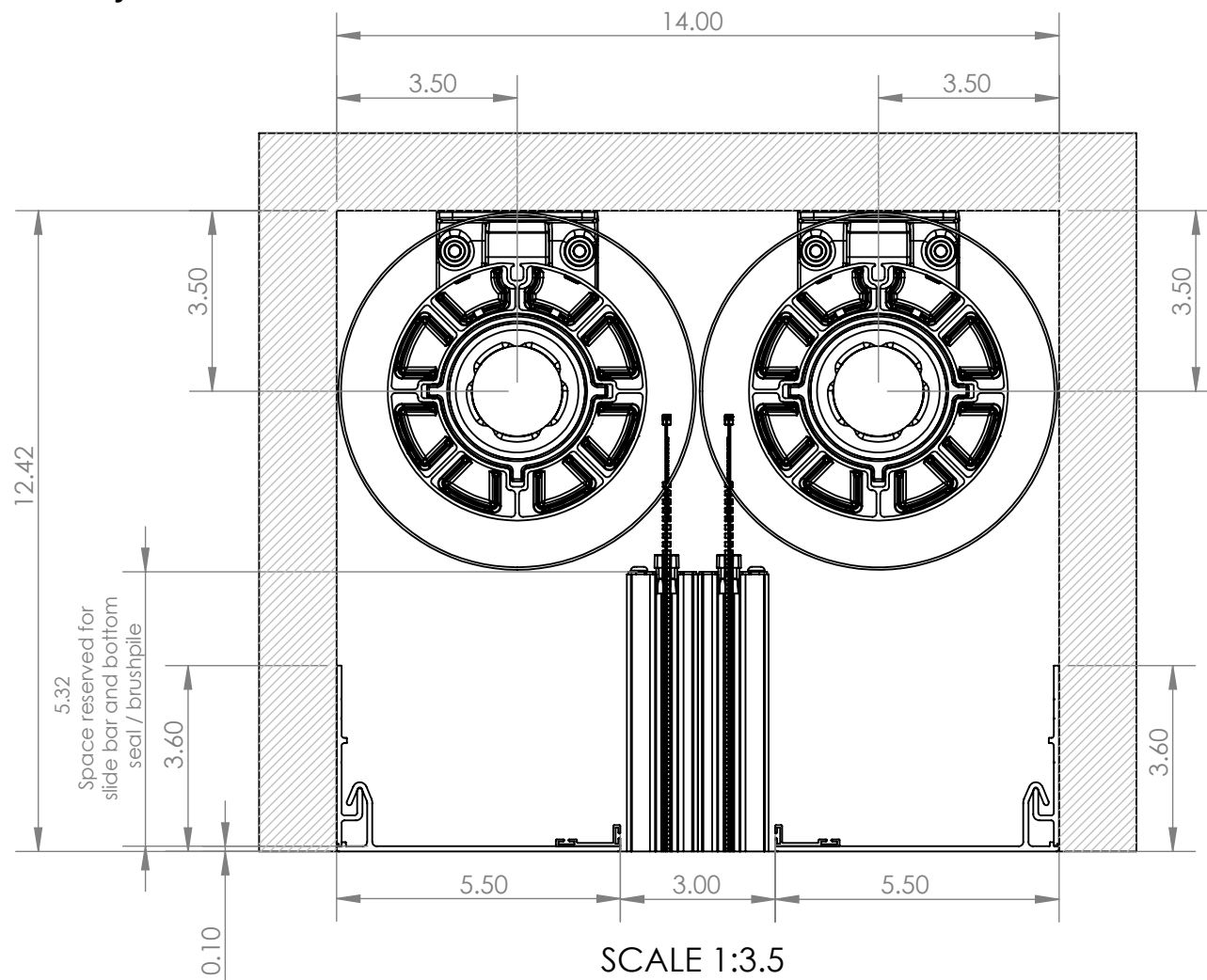
1

Motorized Retractable Screen

Double 5" Recessed Roller - Side by Side

B

B



A

A

PROPRIETARY AND CONFIDENTIAL

THE INFORMATION CONTAINED IN THIS DRAWING IS THE SOLE PROPERTY OF PHANTOM SCREENS. REPRODUCTION IN PART OR AS A WHOLE WITHOUT THE WRITTEN PERMISSION OF PHANTOM SCREENS IS PROHIBITED.



UNLESS OTHERWISE SPECIFIED:

DIMENSIONS ARE IN INCHES.
 TOLERANCES:
 FRACTIONAL $\pm 1/32$
 ANGULAR ± 2
 TWO PLACE DECIMAL $\pm .013$ "
 THREE PLACE DECIMAL $\pm .005$ "

STANDARD TOLERANCES APPLY UNLESS OTHERWISE SPECIFIED

INTERPRET GEOMETRIC TOLERANCING PER: ASME Y14.5
 THIRD ANGLE PROJECTION

MATERIAL

DRAWN	SA	2025-12-23
CHECKED	PP	2025-12-23
ENG APPR.	PP	2025-12-23
MFG APPR.		
Q.A.		

TITLE: Mz2.0, Dual Roller

SIZE	DWG. NO.	REV
A	EPN469	1
SCALE:	WEIGHT: 100.526	SHEET 4 OF 6

2

1

DOCUMENT NO. XXXXX-XX-XXX

2

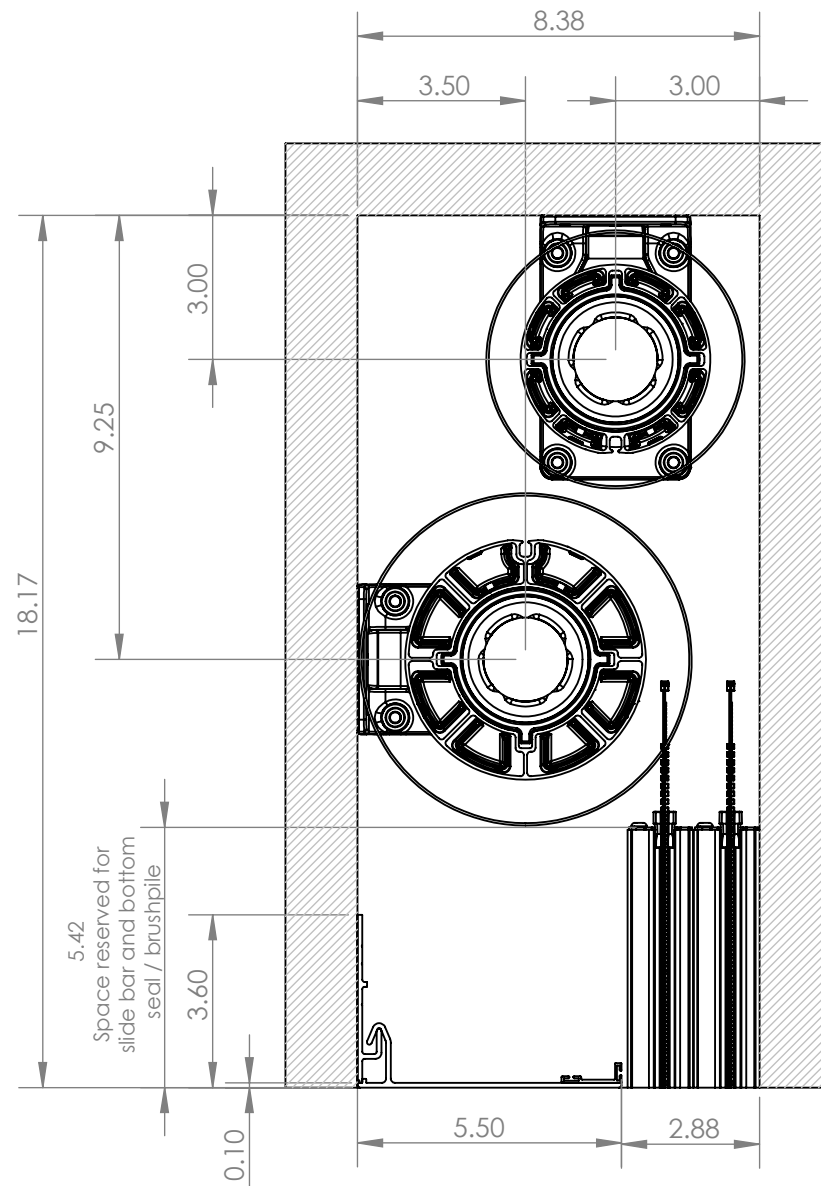
1

Motorized Retractable Screen

Double 4" & 5" Recessed Roller - Stacked

B

B



SCALE 1:4

A

A

PROPRIETARY AND CONFIDENTIAL

THE INFORMATION CONTAINED IN THIS DRAWING IS THE SOLE PROPERTY OF PHANTOM SCREENS. REPRODUCTION IN PART OR AS A WHOLE WITHOUT THE WRITTEN PERMISSION OF PHANTOM SCREENS IS PROHIBITED.



UNLESS OTHERWISE SPECIFIED:

DIMENSIONS ARE IN INCHES.
 TOLERANCES:
 FRACTIONAL $\pm 1/32$
 ANGULAR ± 2
 TWO PLACE DECIMAL $\pm .013$ "
 THREE PLACE DECIMAL $\pm .005$ "

STANDARD TOLERANCES APPLY UNLESS OTHERWISE SPECIFIED

INTERPRET GEOMETRIC TOLERANCING PER: ASME Y14.5
 THIRD ANGLE PROJECTION

MATERIAL

DRAWN	SA	2025-12-23
CHECKED	PP	2025-12-23
ENG APPR.	PP	2025-12-23
MFG APPR.		
Q.A.		

TITLE: Mz2.0, Dual Roller

SIZE	DWG. NO.	REV
A	EPN469	1
SCALE:	WEIGHT: 100.526	SHEET 5 OF 6

2

1

DOCUMENT NO. XXXXX-XX-XXX

2

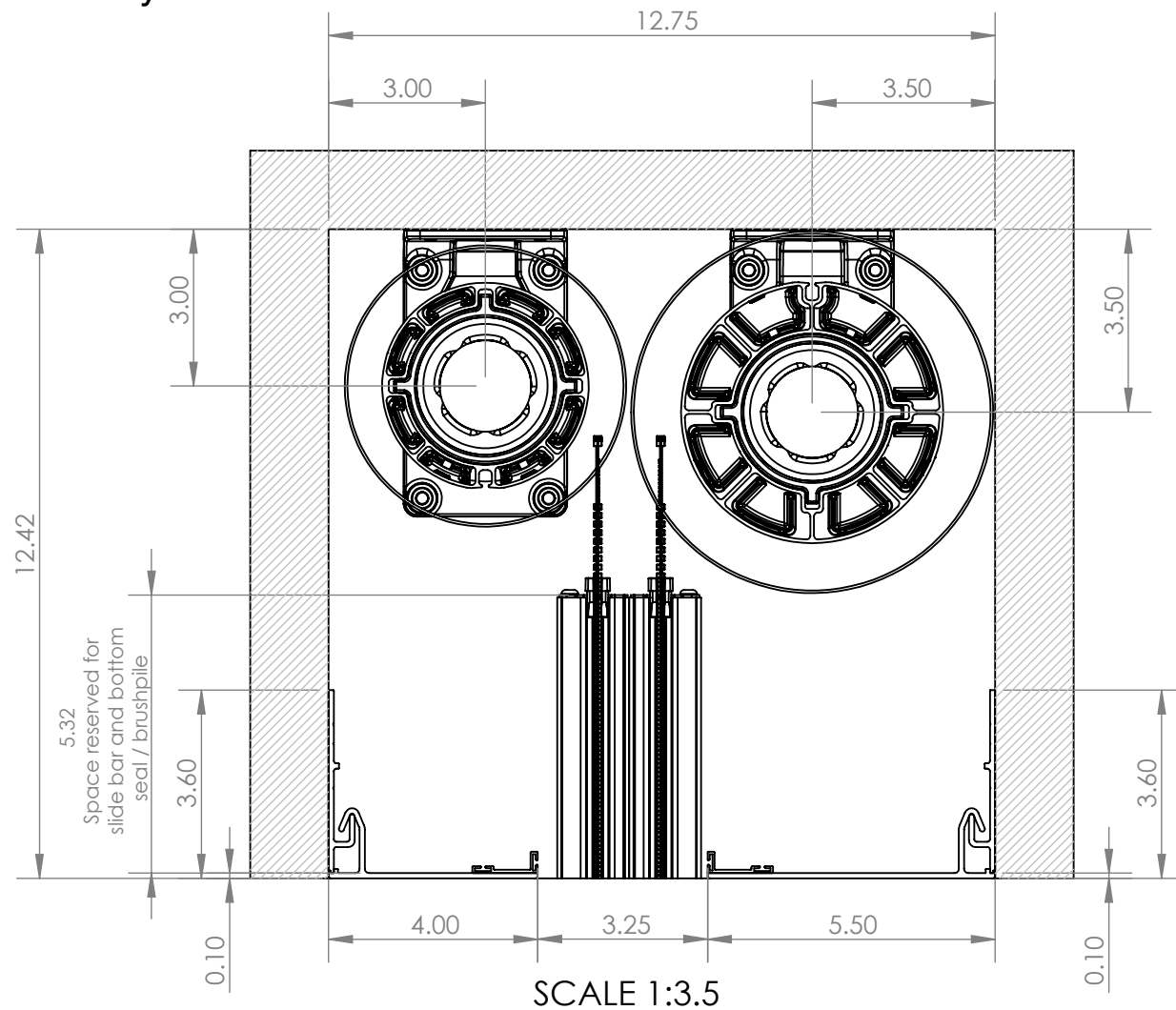
1

Motorized Retractable Screen

Double 4" & 5" Recessed Roller - Side by Side

B

B



A

A

PROPRIETARY AND CONFIDENTIAL

THE INFORMATION CONTAINED IN THIS DRAWING IS THE SOLE PROPERTY OF PHANTOM SCREENS. REPRODUCTION IN PART OR AS A WHOLE WITHOUT THE WRITTEN PERMISSION OF PHANTOM SCREENS IS PROHIBITED.



UNLESS OTHERWISE SPECIFIED:

DIMENSIONS ARE IN INCHES.
 TOLERANCES:
 FRACTIONAL ± 1/32
 ANGULAR ± 2
 TWO PLACE DECIMAL ± .013"
 THREE PLACE DECIMAL ± .005"

STANDARD TOLERANCES APPLY UNLESS OTHERWISE SPECIFIED

INTERPRET GEOMETRIC TOLERANCING PER: ASME Y14.5
 THIRD ANGLE PROJECTION

MATERIAL

DRAWN	SA	2025-12-23
CHECKED	PP	2025-12-23
ENG APPR.	PP	2025-12-23
MFG APPR.		
Q.A.		

TITLE: Mz2.0, Dual Roller

SIZE	DWG. NO.	REV
A	EPN469	1
SCALE:	WEIGHT: 100.526	SHEET 6 OF 6

2

1