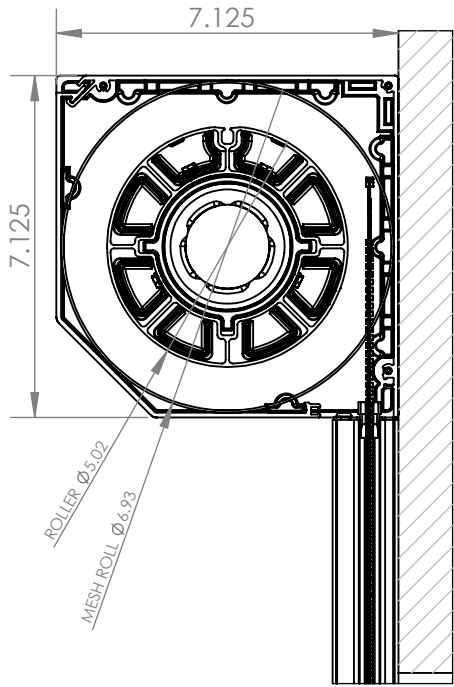


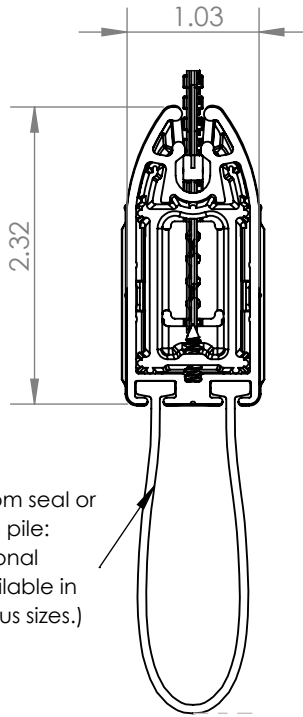
Motorized Retractable Screen

7.125" Housing with Sure Fit Track

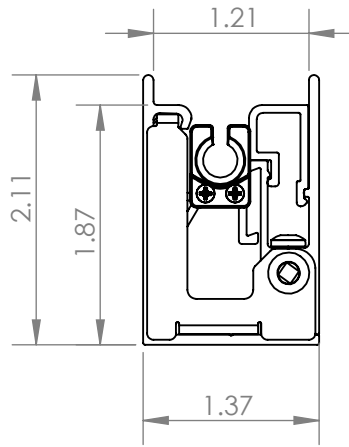
B



5.5" HOUSING ASSY
SECTION VIEW
SCALE 1:4



SLIDEBAR ASSY
SECTION VIEW
SCALE 1:1.5



SURE FIT TRACK ASSY
TOP VIEW
SCALE 1:1.5

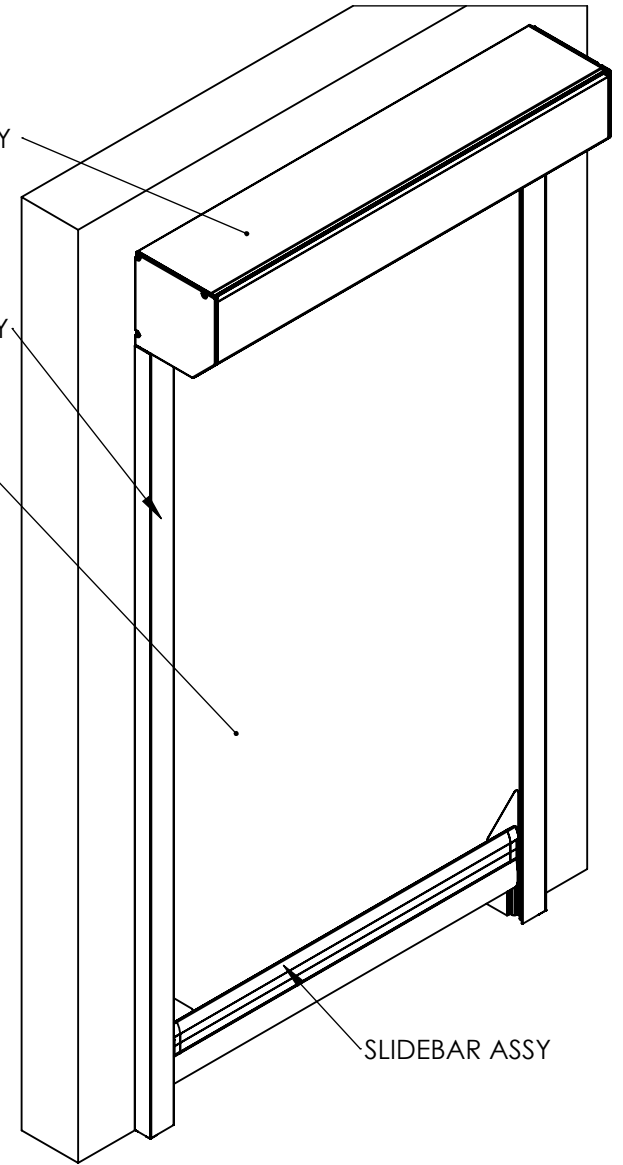
7.125" HOUSING ASSY

SURE FIT TRACK ASSY

FABRIC

SLIDEBAR ASSY

SCALE 1:12



B

A

A

PROPRIETARY AND CONFIDENTIAL

THE INFORMATION CONTAINED IN THIS DRAWING IS THE SOLE PROPERTY OF PHANTOM SCREENS. REPRODUCTION IN PART OR AS A WHOLE WITHOUT THE WRITTEN PERMISSION OF PHANTOM SCREENS IS PROHIBITED.

PHANTOM
SCREENS

UNLESS OTHERWISE SPECIFIED:

DIMENSIONS ARE IN INCHES.
TOLERANCES:
FRACTIONAL ± 1/32
ANGULAR ± 2
TWO PLACE DECIMAL ± .013"
THREE PLACE DECIMAL ± .005"

STANDARD TOLERANCES APPLY UNLESS OTHERWISE SPECIFIED

INTERPRET GEOMETRIC TOLERANCING PER: ASME Y14.5
THIRD ANGLE PROJECTION

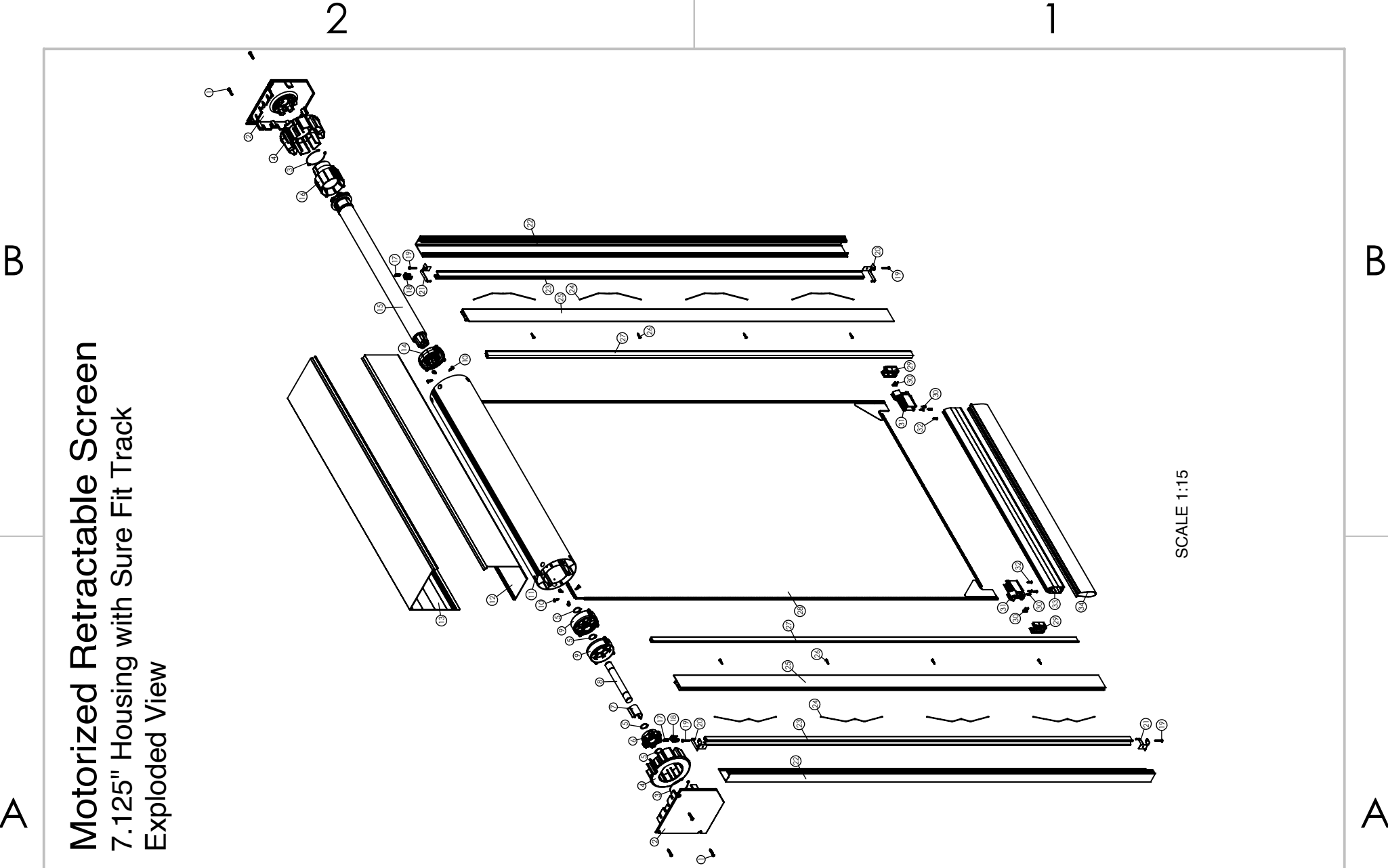
MATERIAL
ASSY

DRAWN	SA	2025-12-01
CHECKED	PP	2025-12-01
ENG APPR.	PP	2025-12-01
MFG APPR.		
Q.A.		

TITLE: Mz2.0, 7.125 Housing, Sure Fit Track	
SIZE: A	REV: 1
DWG. NO.: EPN448	
SCALE: 1:12	WEIGHT:
SHEET 1 OF 10	

2

1



Motorized Retractable Screen
7.125" Housing with Sure Fit Track
Exploded View

SCALE 1:15

PROPRIETARY AND CONFIDENTIAL THE INFORMATION CONTAINED IN THIS DRAWING IS THE SOLE PROPERTY OF PHANTOM SCREENS. REPRODUCTION IN PART OR AS A WHOLE WITHOUT THE WRITTEN PERMISSION OF PHANTOM SCREENS IS PROHIBITED.		UNLESS OTHERWISE SPECIFIED: DIMENSIONS ARE IN INCHES. TOLERANCES: FRACTIONAL $\pm 1/32$ ANGULAR ± 2 TWO PLACE DECIMAL $\pm .013$ " THREE PLACE DECIMAL $\pm .005$ "		STANDARD TOLERANCES APPLY UNLESS OTHERWISE SPECIFIED INTERPRET GEOMETRIC TOLERANCING PER: ASME Y14.5 THIRD ANGLE PROJECTION MATERIAL ASSY		DRAWN SA 2025-12-01 CHECKED PP 2025-12-01 ENG APPR. PP 2025-12-01 MFG APPR. Q.A.	TITLE: Mz2.0, 7.125 Housing, Sure Fit Track SIZE A DWG. NO. EPN448 SCALE: 1:12 WEIGHT:		REV 1 SHEET 2 OF 10
--	--	---	--	---	--	--	---	--	------------------------



B

1

Motorized Retractable Screen 7.125" Housing with Sure Fit Track BOM Table

NO.	DESCRIPTION	QTY
1	71039 #8-1" Rounded Head Screw (Color matched)	6
2	68220 Mz2.0 End Cap 7.125"	2
3	46009 Mz Retaining Clip	2
4	46611 Mz Leveling Ring 5"	2
5	EPN214 External Retaining Ring	4
6	EPN3 Mz2.0 Pivot Head .75	1
7	EPN211 Mz Pivot Spacer	1
8	EPN7 Mz2.0 Pivot Shaft	1
9	EPN2 Mz2.0 Pivot Bearing	2
10	71021 #8-0.5" Hex Head Drilling Screw	8
11	46006 Mz2.0 Roller Bar 5"	1
12	EPN357 Housing Cover, 7.125"	1
13	EPN47120 Hsg, 1-Pc Back-Top, 7.125"	1
14	EPN4 Mz2.0 Motor Drive Ring	1
15	67235 Somfy Motor, 525A2 Maestria RTS	1
16	EPN5 Mz2.0 Motor Encoder Ring	1
17	EPN314 #1-5/8" Rounded Head Screw	4
18	68155 Sure Fit Entry Guide	2
19	71039 #10-1" Rounded Head Screw (Unfinished)	4
20	46854 Sure Fit Lift Stop Left	2
21	46898 Sure Fit Lift Stop Right	2
22	46909 Sure Fit U-Channel	2
23	46844 Sure Fit Inner Track	2
24	46045 Sure Fit Spring	-
25	47014 Sure Fit U-Channel Side	2
26	EPN312 #6-5/8" Rounded Head Screw	-
27	47024 Sure Fit Cover	2
28	EPN437 Sure Fit Mesh	1
29	EPN161 Slidebar Endcap Cover	2
30	71027 #6-1/2" Rounded Head Screw	8
31	EPN160 Slidebar Endcap Main	2
32	71135 #6-5/8" Flat Head Screw	4
33	EPN199 Slidebar-w-Stopper	1
34	Brush pile or bottom gasket (available in various sizes)	1

B

A

PROPRIETARY AND CONFIDENTIAL

THE INFORMATION CONTAINED IN THIS DRAWING IS THE SOLE PROPERTY OF PHANTOM SCREENS. REPRODUCTION IN PART OR AS A WHOLE WITHOUT THE WRITTEN PERMISSION OF PHANTOM SCREENS IS PROHIBITED.



PHANTOM
SCREENS

UNLESS OTHERWISE SPECIFIED:

DIMENSIONS ARE IN INCHES.
TOLERANCES:
FRACTIONAL $\pm 1/32$
ANGULAR ± 2
TWO PLACE DECIMAL $\pm .013$ "
THREE PLACE DECIMAL $\pm .005$ "

STANDARD TOLERANCES APPLY UNLESS OTHERWISE SPECIFIED

INTERPRET GEOMETRIC TOLERANCING PER: ASME Y14.5
THIRD ANGLE PROJECTION

MATERIAL

ASSY

DRAWN

SA

2025-12-01

CHECKED

PP

2025-12-01

ENG APPR.

PP

2025-12-01

MFG APPR.

Q.A.

TITLE: Mz2.0, 7.125 Housing, Sure Fit Track

SIZE

A

DWG. NO.

EPN448

REV

1

SCALE: 1:12

WEIGHT:

SHEET 3 OF 10

2

1

DOCUMENT NO. XXXXX-XX-XXX

A

Motorized Retractable Screen

7.125" Housing with Sure Fit Track

Housing and Tracks: Surface Mounted

Tracks Mounted on Side (*)

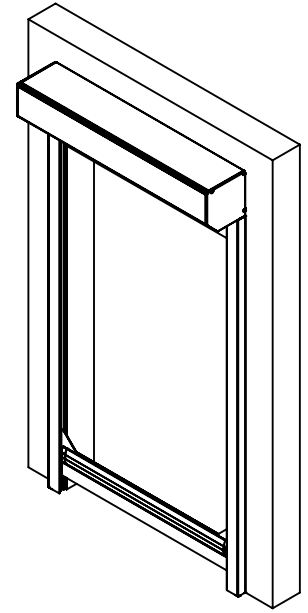
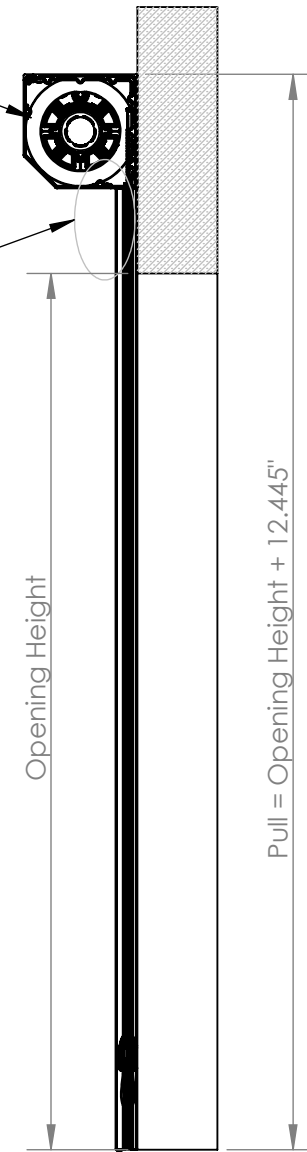
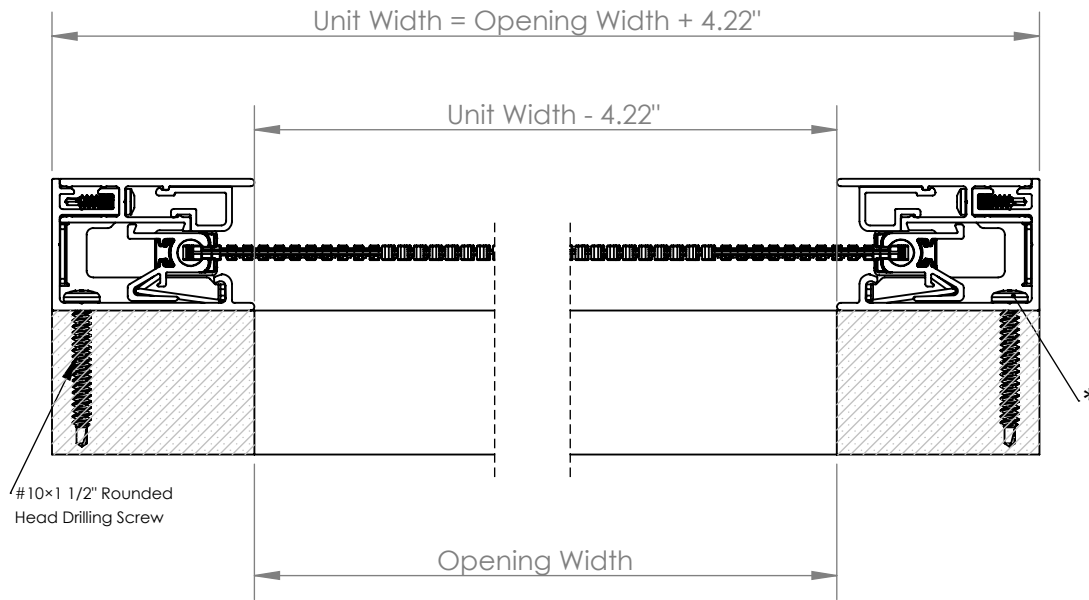
B

B

FRONT SIDE OF THE UNIT

Space reserved for slide bar and bottom seal/brushpile on top, clear of the opening for maximum view.

FRONT SIDE OF THE UNIT



SCALE 1:25

A

A

Note:

- Screen unit height can be reduced by cutting the tracks on site.
- Screen unit width is fixed and must be accurate when ordering.

PROPRIETARY AND CONFIDENTIAL

THE INFORMATION CONTAINED IN THIS DRAWING IS THE SOLE PROPERTY OF PHANTOM SCREENS. REPRODUCTION IN PART OR AS A WHOLE WITHOUT THE WRITTEN PERMISSION OF PHANTOM SCREENS IS PROHIBITED.



UNLESS OTHERWISE SPECIFIED:

DIMENSIONS ARE IN INCHES.
 TOLERANCES:
 FRACTIONAL ± 1/32
 ANGULAR ± 2
 TWO PLACE DECIMAL ± .013"
 THREE PLACE DECIMAL ± .005"

STANDARD TOLERANCES APPLY UNLESS OTHERWISE SPECIFIED

INTERPRET GEOMETRIC TOLERANCING PER: ASME Y14.5
 THIRD ANGLE PROJECTION

MATERIAL

ASSY

DRAWN	SA	2025-12-01
CHECKED	PP	2025-12-01
ENG APPR.	PP	2025-12-01
MFG APPR.		
Q.A.		

TITLE: Mz2.0, 7.125 Housing, Sure Fit Track

SIZE	DWG. NO.	REV
A	EPN448	1

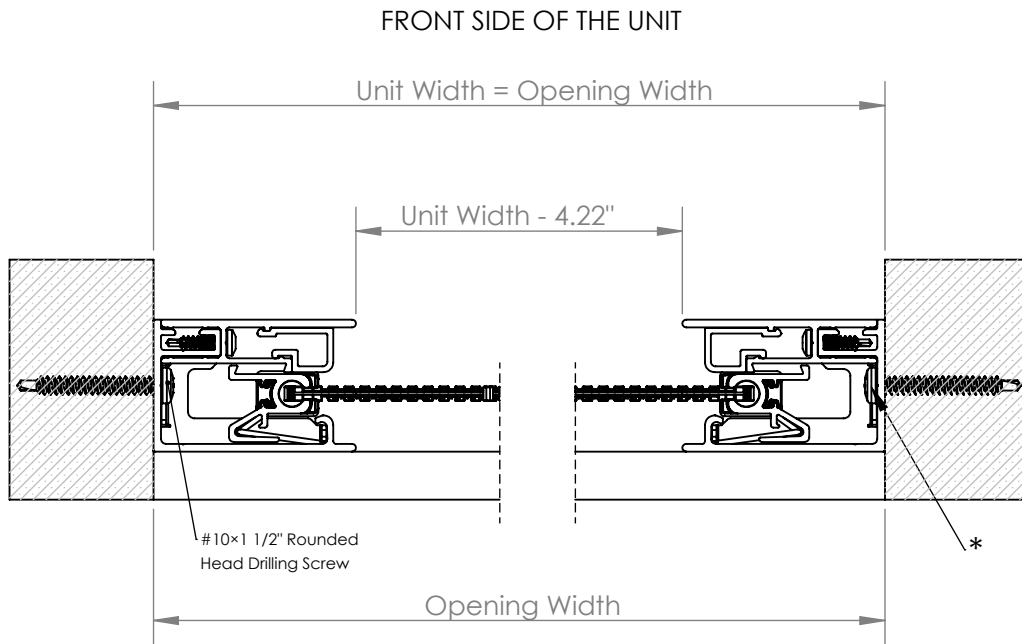
SCALE: 1:12	WEIGHT:	SHEET 4 OF 10
-------------	---------	---------------

Motorized Retractable Screen

7.125" Housing with Sure Fit Track

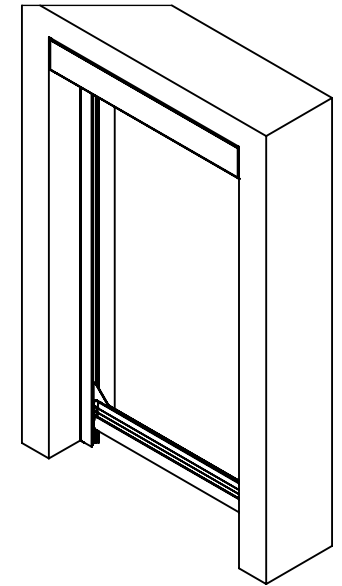
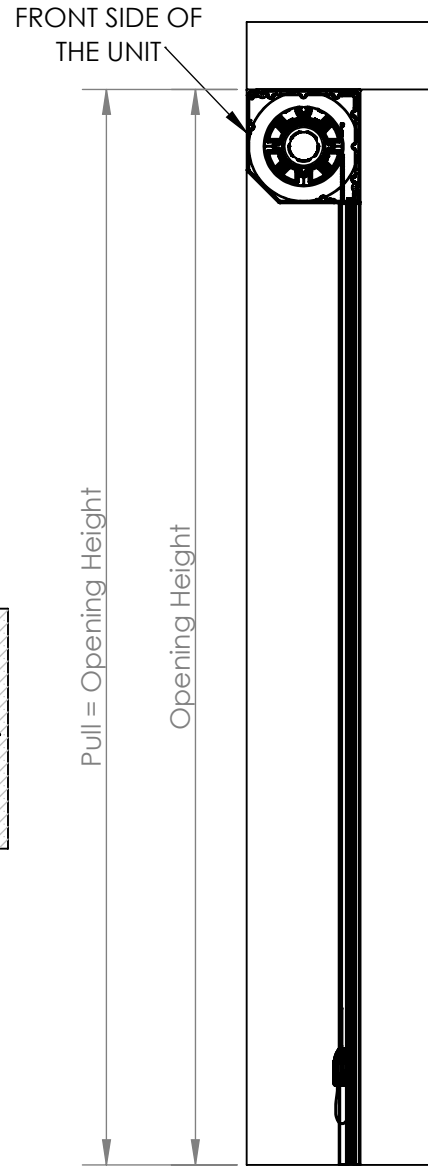
Housing and Tracks: In-Jamb
Tracks Mounted on Back (*)

B



Note:

- Screen unit height can be reduced by cutting the tracks on site.
- Screen unit width is fixed and must be accurate when ordering.




SCALE 1:25

B

A

A

PROPRIETARY AND CONFIDENTIAL THE INFORMATION CONTAINED IN THIS DRAWING IS THE SOLE PROPERTY OF PHANTOM SCREENS. REPRODUCTION IN PART OR AS A WHOLE WITHOUT THE WRITTEN PERMISSION OF PHANTOM SCREENS IS PROHIBITED.		UNLESS OTHERWISE SPECIFIED: DIMENSIONS ARE IN INCHES. FRACTIONAL ± 1/32 ANGULAR ± 2 TWO PLACE DECIMAL ± .013" THREE PLACE DECIMAL ± .005"		STANDARD TOLERANCES APPLY UNLESS OTHERWISE SPECIFIED INTERPRET GEOMETRIC TOLERANCING PER: ASME Y14.5 THIRD ANGLE PROJECTION		DRAWN SA 2025-12-01 CHECKED PP 2025-12-01 ENG APPR. PP 2025-12-01 MFG APPR. Q.A.		TITLE: Mz2.0, 7.125 Housing, Sure Fit Track SIZE A DWG. NO. EPN448 SCALE: 1:12 WEIGHT:		REV 1 SHEET 5 OF 10	
 PHANTOM SCREENS		MATERIAL ASSY									

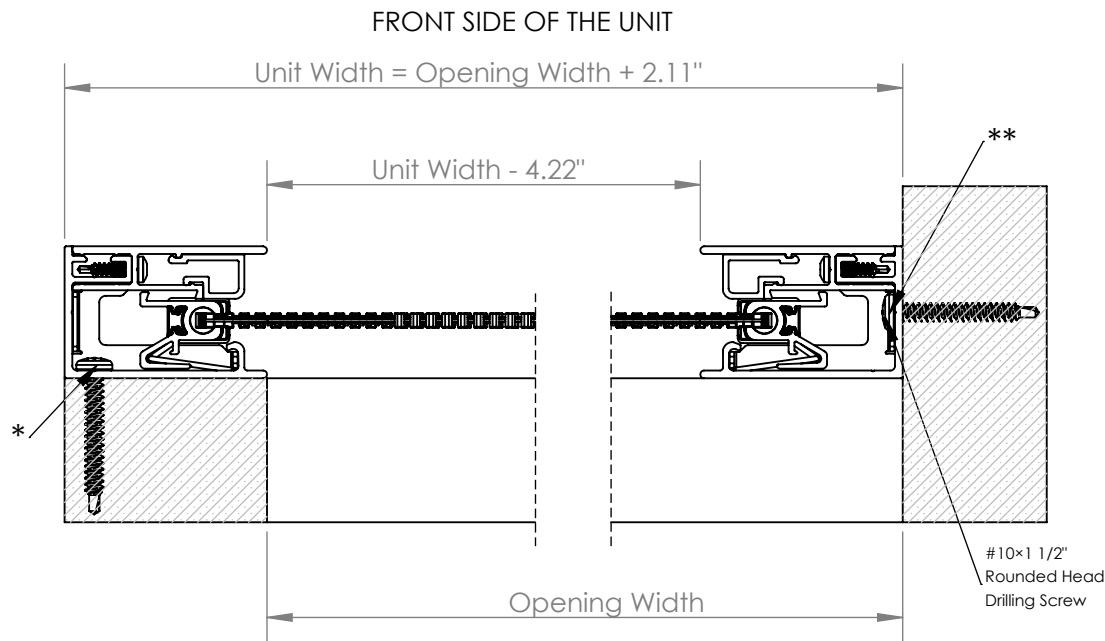
Motorized Retractable Screen

7.125" Housing with Sure Fit Track

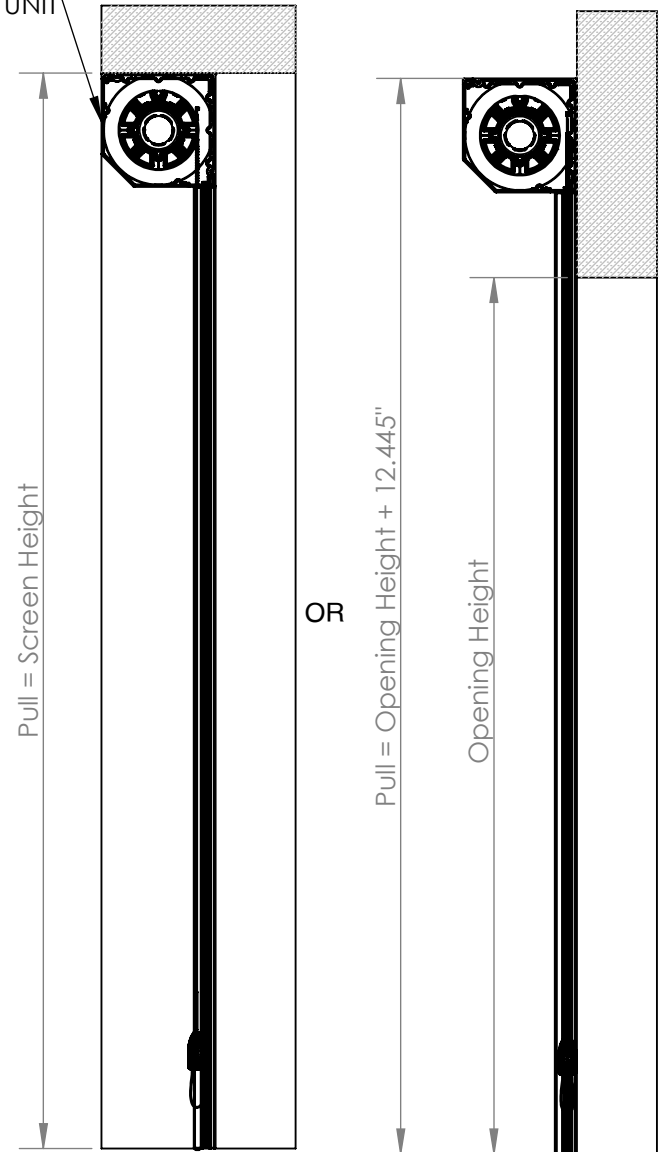
Housing and Tracks: In-Jamb and Surface Mounted (Mixed)

One Track Mounted on Side (*), One on Back (**)

B



FRONT SIDE OF THE UNIT



B

A

Note:

- Screen unit height can be reduced by cutting the tracks on site.
- Screen unit width is fixed and must be accurate when ordering.

A

PROPRIETARY AND CONFIDENTIAL

THE INFORMATION CONTAINED IN THIS DRAWING IS THE SOLE PROPERTY OF PHANTOM SCREENS. REPRODUCTION IN PART OR AS A WHOLE WITHOUT THE WRITTEN PERMISSION OF PHANTOM SCREENS IS PROHIBITED.



UNLESS OTHERWISE SPECIFIED:

DIMENSIONS ARE IN INCHES.
 TOLERANCES:
 FRACTIONAL ± 1/32
 ANGULAR ± 2
 TWO PLACE DECIMAL ± .013"
 THREE PLACE DECIMAL ± .005"

STANDARD TOLERANCES APPLY UNLESS OTHERWISE SPECIFIED

INTERPRET GEOMETRIC TOLERANCING PER: ASME Y14.5
 THIRD ANGLE PROJECTION

MATERIAL

ASSY

DRAWN	SA	2025-12-01
CHECKED	PP	2025-12-01
ENG APPR.	PP	2025-12-01
MFG APPR.		
Q.A.		

TITLE: Mz2.0, 7.125 Housing, Sure Fit Track

SIZE	DWG. NO.	REV
A	EPN448	1

SCALE: 1:12	WEIGHT:	SHEET 6 OF 10
-------------	---------	---------------

Motorized Retractable Screen

7.125" Housing with Sure Fit Track

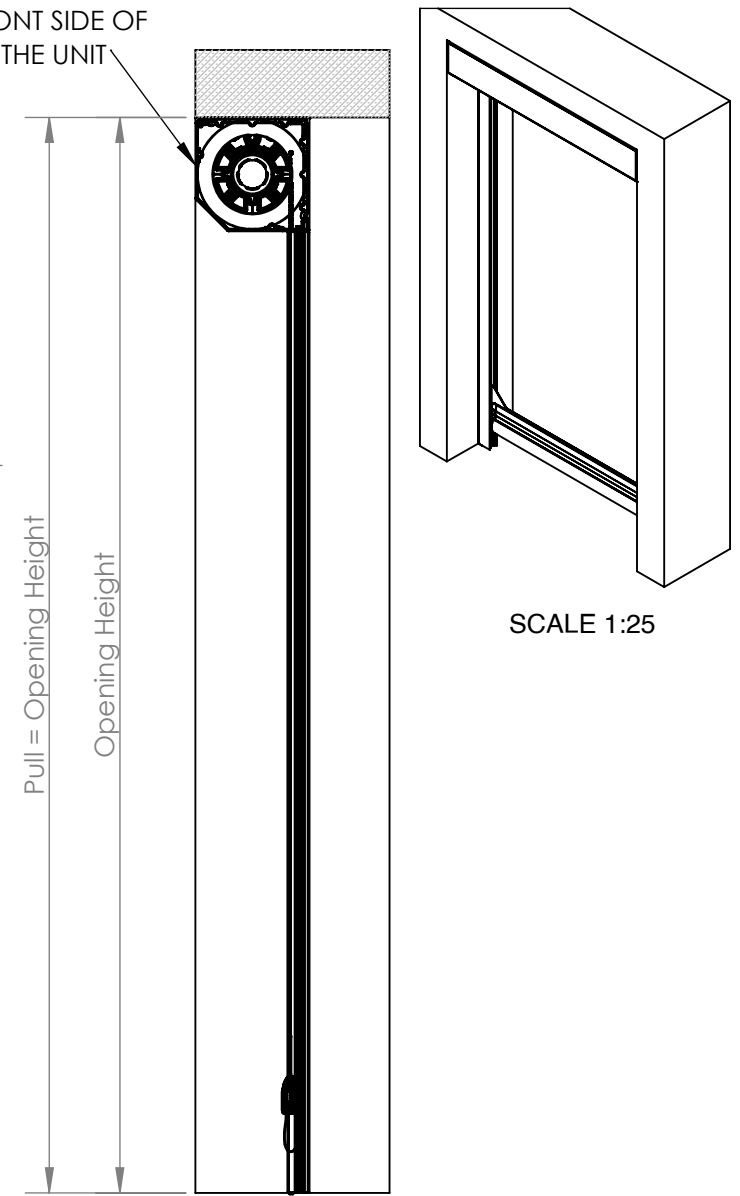
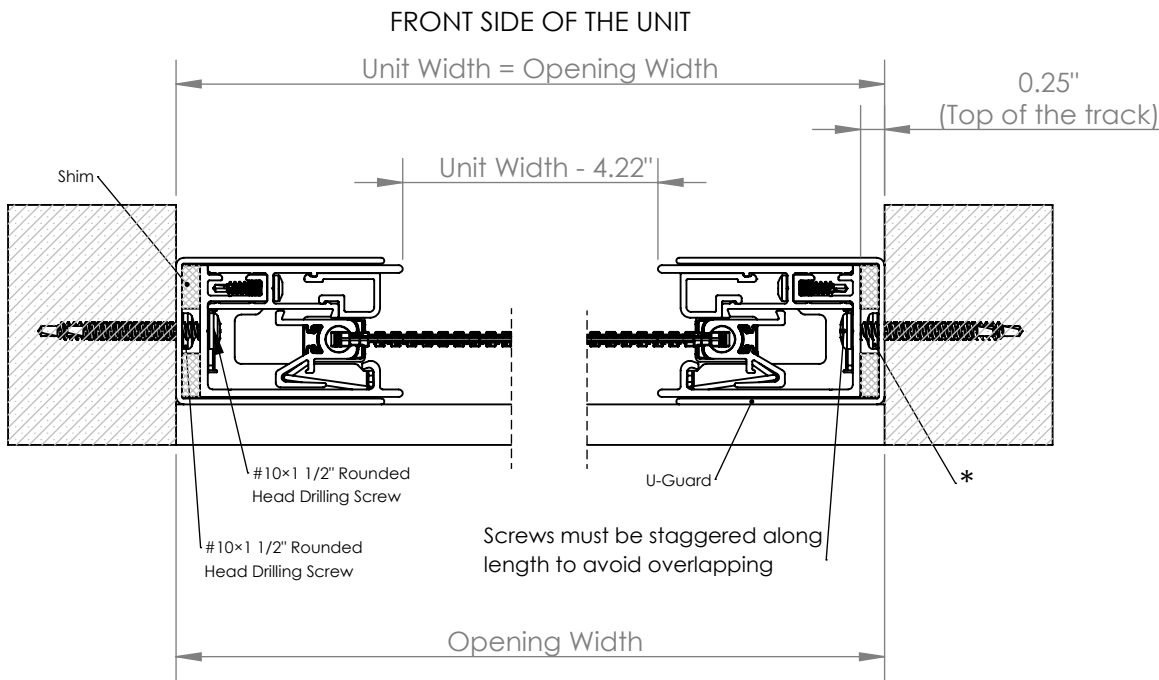
Housing and Tracks: In-Jamb

U-Guard Used for Adjustment on Unparallel Posts

Tracks Mounted on Back (*)

B

B



A

A

Note:

- Screen unit height can be reduced by cutting the tracks on site.
- Screen unit width is fixed and must be accurate when ordering.

PROPRIETARY AND CONFIDENTIAL THE INFORMATION CONTAINED IN THIS DRAWING IS THE SOLE PROPERTY OF PHANTOM SCREENS. REPRODUCTION IN PART OR AS A WHOLE WITHOUT THE WRITTEN PERMISSION OF PHANTOM SCREENS IS PROHIBITED.		UNLESS OTHERWISE SPECIFIED: DIMENSIONS ARE IN INCHES. TOLERANCES: FRACTIONAL ± 1/32 ANGULAR ± 2 TWO PLACE DECIMAL ± .013" THREE PLACE DECIMAL ± .005"		STANDARD TOLERANCES APPLY UNLESS OTHERWISE SPECIFIED INTERPRET GEOMETRIC TOLERANCING PER: ASME Y14.5 THIRD ANGLE PROJECTION		DRAWN SA 2025-12-01 CHECKED PP 2025-12-01 ENG APPR. PP 2025-12-01 MFG APPR. Q.A.		TITLE: Mz2.0, 7.125 Housing, Sure Fit Track SIZE DWG. NO. REV A EPN448 1	
		MATERIAL ASSY		SCALE: 1:12		WEIGHT:		SHEET 7 OF 10	

Motorized Retractable Screen

7.125" Housing with Sure Fit Track

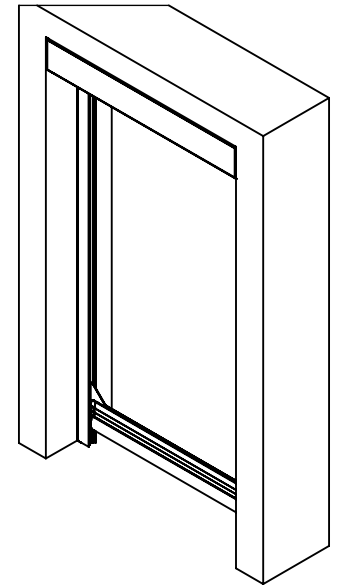
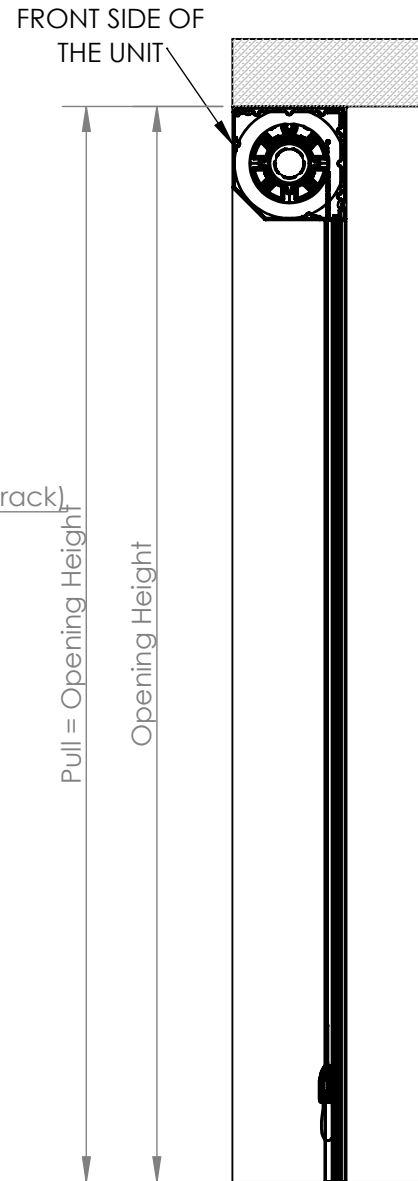
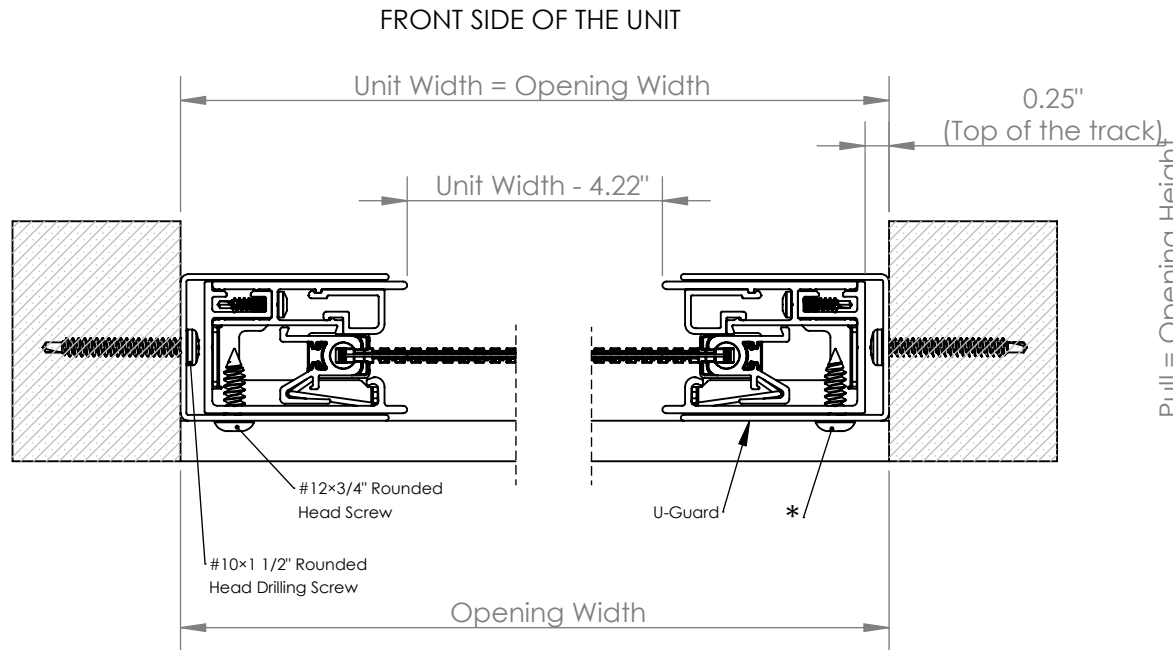
Housing and Tracks: In-Jamb

U-Guard Used for Adjustment on Unparallel Posts

Tracks Mounted on Side (*)

B

B



SCALE 1:25

A

A

Note:

- Screen unit height can be reduced by cutting the tracks on site.
- Screen unit width is fixed and must be accurate when ordering.

PROPRIETARY AND CONFIDENTIAL

THE INFORMATION CONTAINED IN THIS DRAWING IS THE SOLE PROPERTY OF PHANTOM SCREENS. REPRODUCTION IN PART OR AS A WHOLE WITHOUT THE WRITTEN PERMISSION OF PHANTOM SCREENS IS PROHIBITED.



UNLESS OTHERWISE SPECIFIED:

DIMENSIONS ARE IN INCHES.
 TOLERANCES:
 FRACTIONAL ± 1/32
 ANGULAR ± 2
 TWO PLACE DECIMAL ± .013"
 THREE PLACE DECIMAL ± .005"

STANDARD TOLERANCES APPLY UNLESS OTHERWISE SPECIFIED

INTERPRET GEOMETRIC TOLERANCING PER: ASME Y14.5
 THIRD ANGLE PROJECTION

MATERIAL

ASSY

DRAWN	SA	2025-12-01
CHECKED	PP	2025-12-01
ENG APPR.	PP	2025-12-01
MFG APPR.		
Q.A.		

TITLE: Mz2.0, 7.125 Housing, Sure Fit Track

SIZE **A**

DWG. NO. EPN448

REV 1

SCALE: 1:12

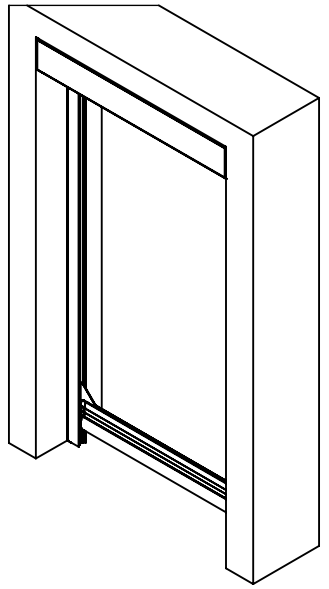
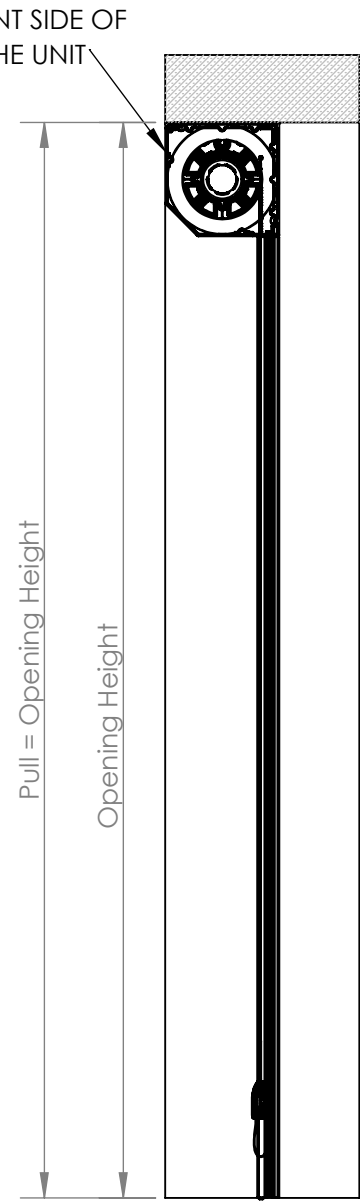
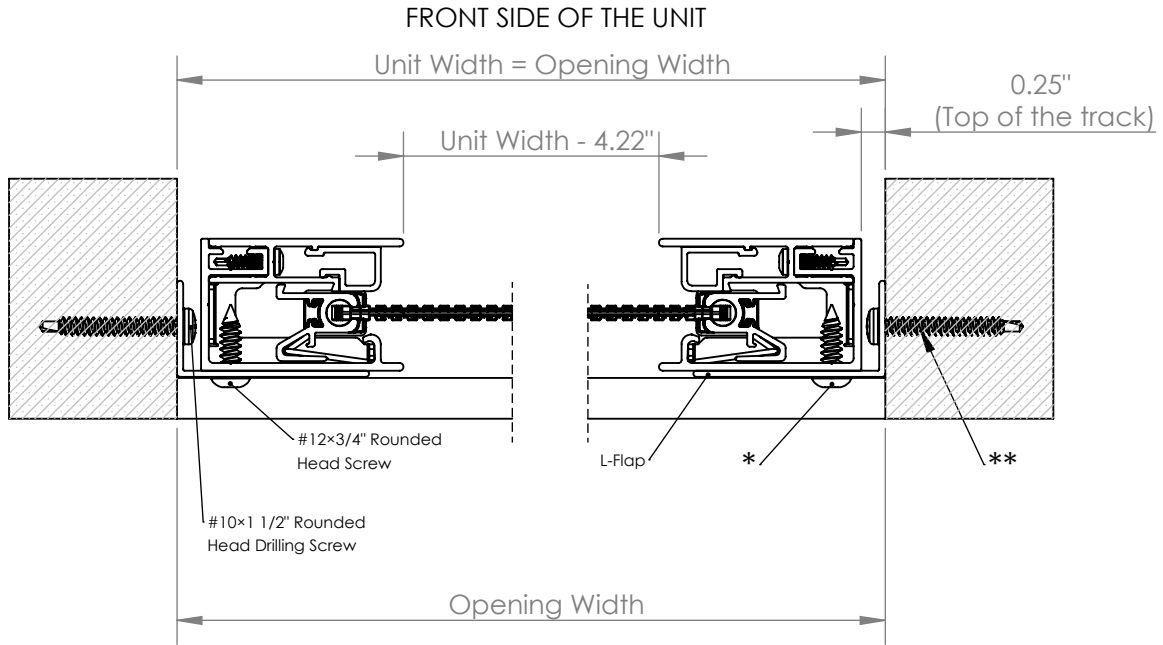
WEIGHT:

SHEET 8 OF 10

Motorized Retractable Screen
 7.125" Housing with Sure Fit Track
 Housing and Tracks: In-Jamb
 L-Flap Used for Adjustment on Unparallel Posts
 Tracks Mounted on Side (*)
 L-Flap Mounted behind the Track (**)

B

B



Note:

- Screen unit height can be reduced by cutting the tracks on site.
- Screen unit width is fixed and must be accurate when ordering.

A

A

PROPRIETARY AND CONFIDENTIAL THE INFORMATION CONTAINED IN THIS DRAWING IS THE SOLE PROPERTY OF PHANTOM SCREENS. REPRODUCTION IN PART OR AS A WHOLE WITHOUT THE WRITTEN PERMISSION OF PHANTOM SCREENS IS PROHIBITED.		UNLESS OTHERWISE SPECIFIED: DIMENSIONS ARE IN INCHES. TOLERANCES: FRACTIONAL ± 1/32 ANGULAR ± 2 TWO PLACE DECIMAL ± .013" THREE PLACE DECIMAL ± .005"		STANDARD TOLERANCES APPLY UNLESS OTHERWISE SPECIFIED INTERPRET GEOMETRIC TOLERANCING PER: ASME Y14.5 THIRD ANGLE PROJECTION		DRAWN SA 2025-12-01 CHECKED PP 2025-12-01 ENG APPR. PP 2025-12-01 MFG APPR. Q.A.		TITLE: Mz2.0, 7.125 Housing, Sure Fit Track SIZE DWG. NO. REV A EPN448 1	
		MATERIAL ASSY		SCALE: 1:12		WEIGHT:		SHEET 9 OF 10	

Motorized Retractable Screen

7.125" Housing with Sure Fit Track

Housing and Tracks: In-Jamb

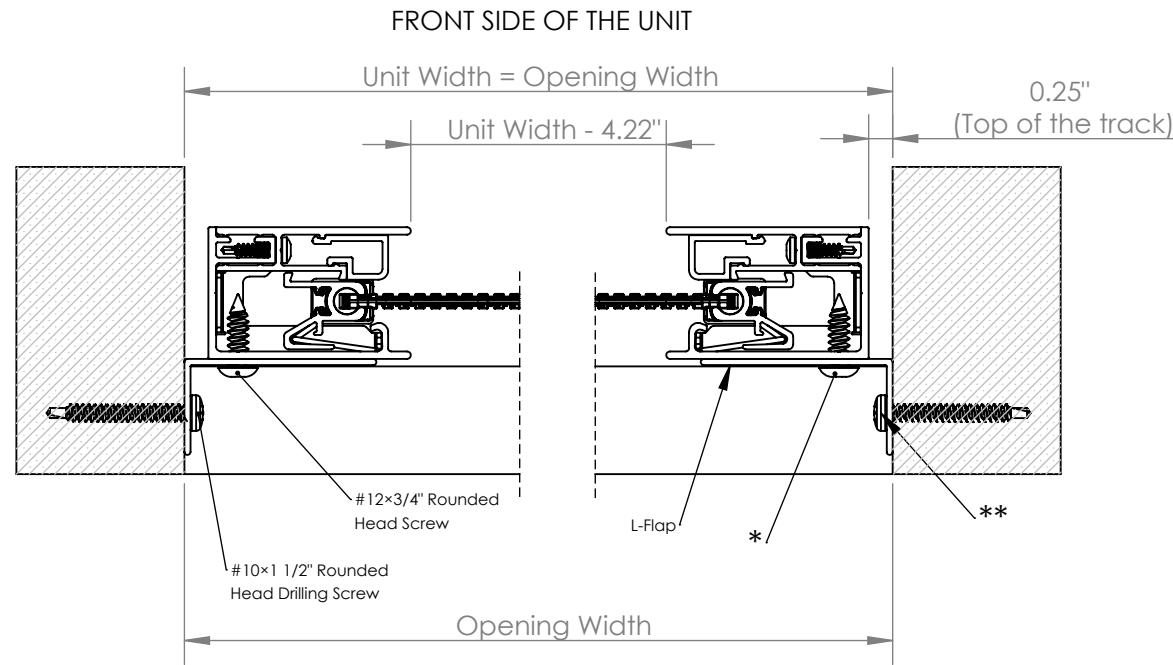
L-Flap Used for Adjustment on Unparallel Posts

Tracks Mounted on Side (*)

L-Flap Mounted on the Side of the Track (**)

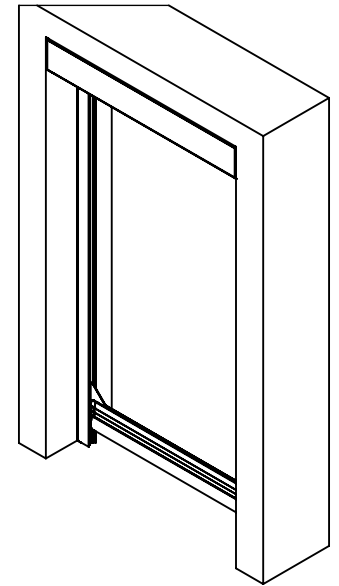
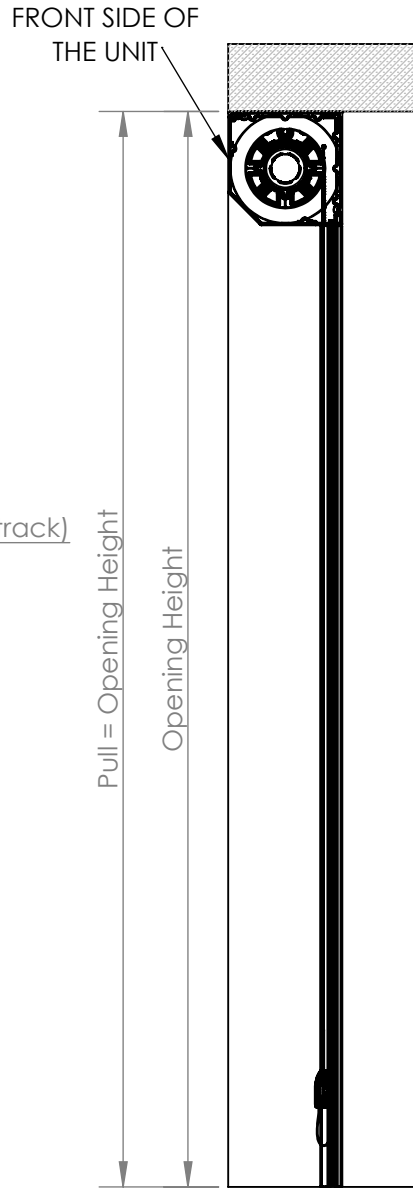
B

B



Note:

- Screen unit height can be reduced by cutting the tracks on site.
- Screen unit width is fixed and must be accurate when ordering.



SCALE 1:25

A

A

PROPRIETARY AND CONFIDENTIAL

THE INFORMATION CONTAINED IN THIS DRAWING IS THE SOLE PROPERTY OF PHANTOM SCREENS. REPRODUCTION IN PART OR AS A WHOLE WITHOUT THE WRITTEN PERMISSION OF PHANTOM SCREENS IS PROHIBITED.



UNLESS OTHERWISE SPECIFIED:

DIMENSIONS ARE IN INCHES.
 TOLERANCES:
 FRACTIONAL ± 1/32
 ANGULAR ± 2
 TWO PLACE DECIMAL ± .013"
 THREE PLACE DECIMAL ± .005"

STANDARD TOLERANCES APPLY UNLESS OTHERWISE SPECIFIED

INTERPRET GEOMETRIC TOLERANCING PER: ASME Y14.5
 THIRD ANGLE PROJECTION

MATERIAL

ASSY

DRAWN	SA	2025-12-01
CHECKED	PP	2025-12-01
ENG APPR.	PP	2025-12-01
MFG APPR.		
Q.A.		

TITLE: Mz2.0, 7.125 Housing, Sure Fit Track

SIZE **A**

DWG. NO. EPN448

REV **1**

SCALE: 1:12

WEIGHT:

SHEET 10 OF 10